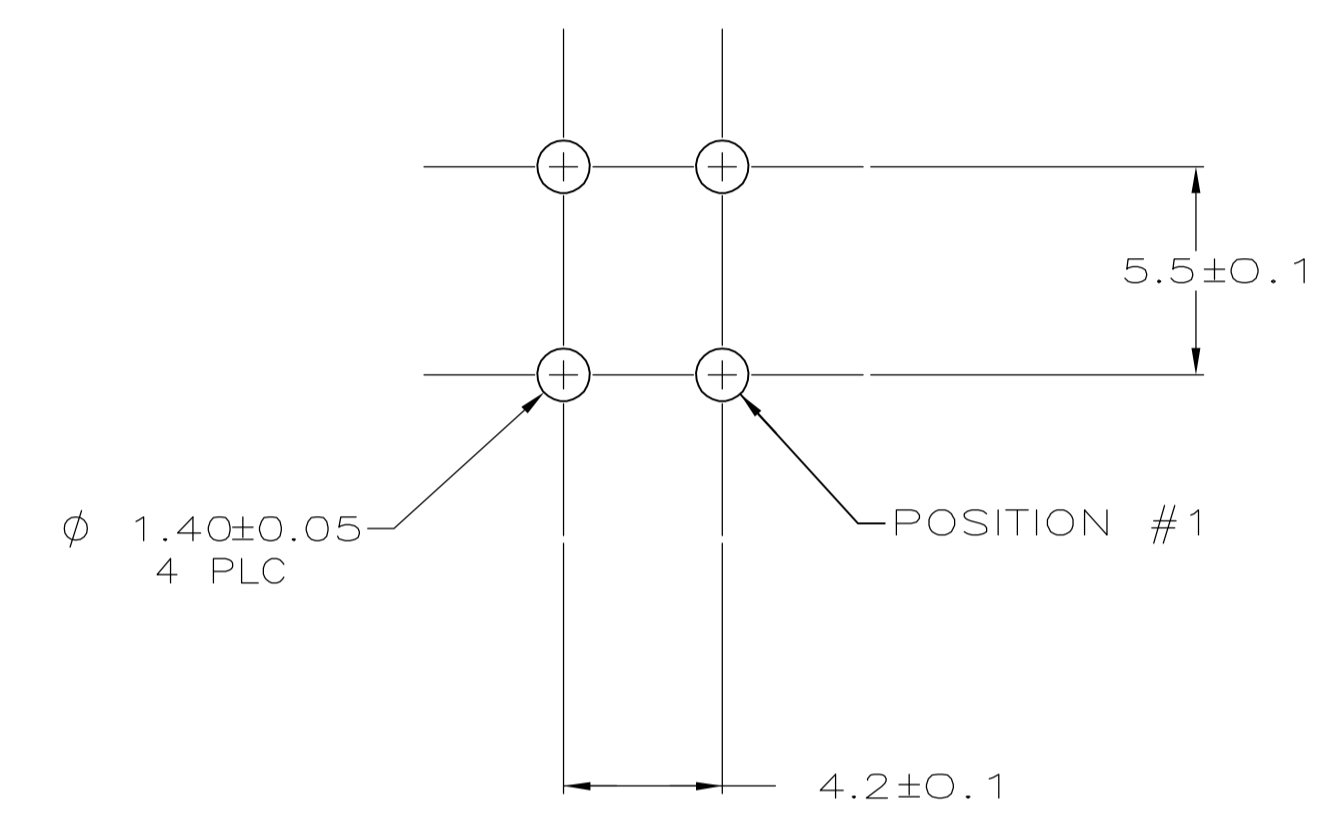
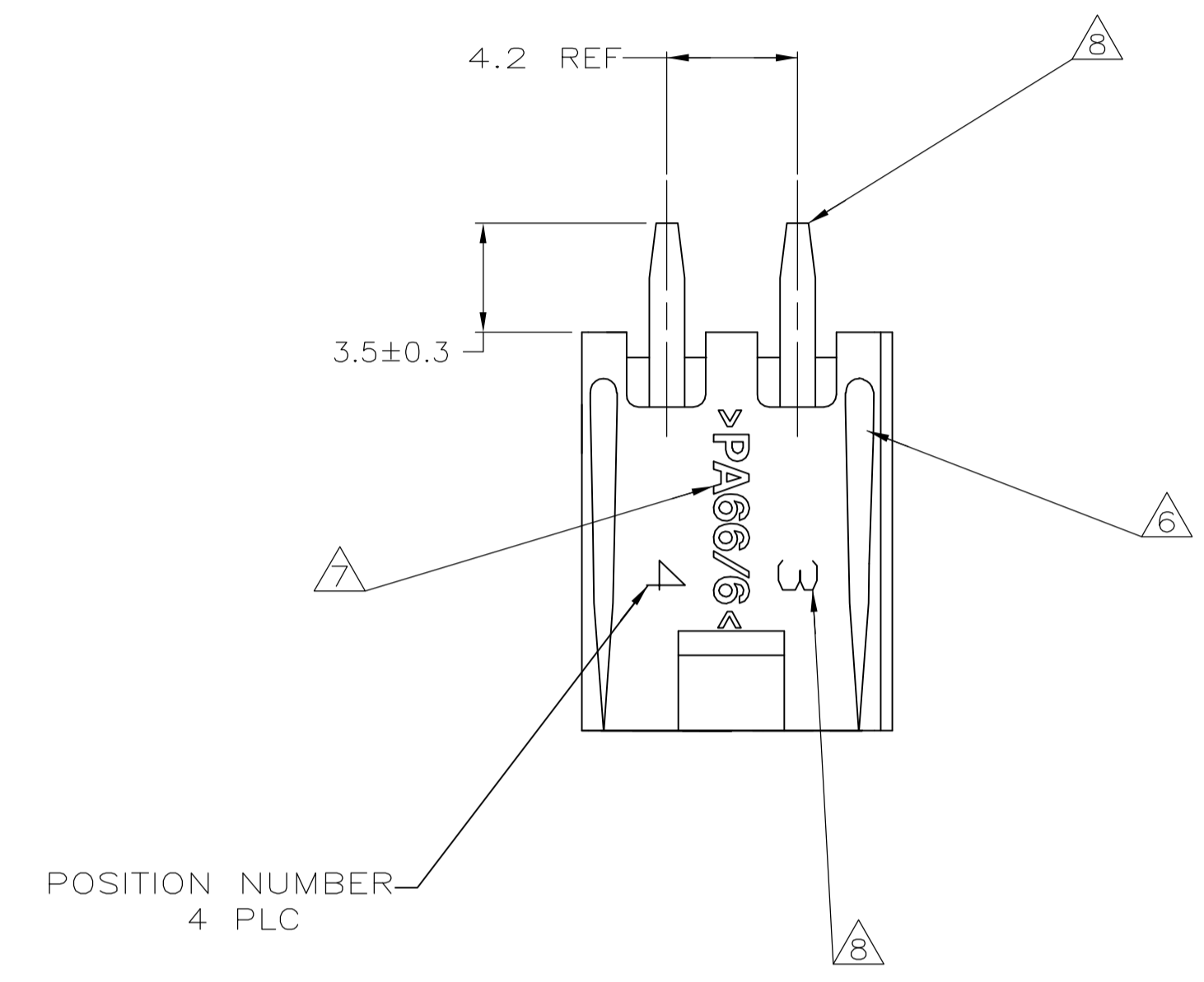
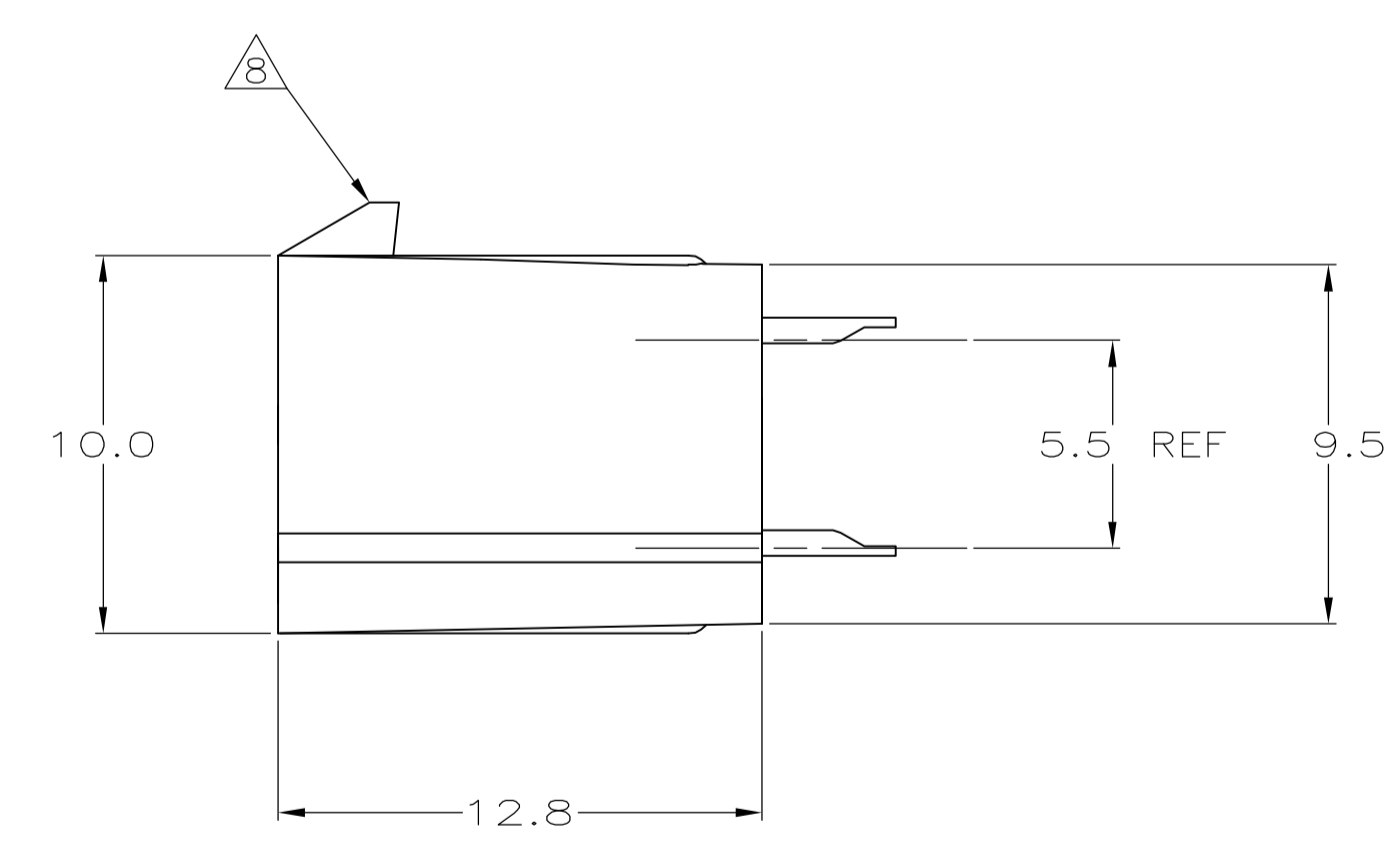
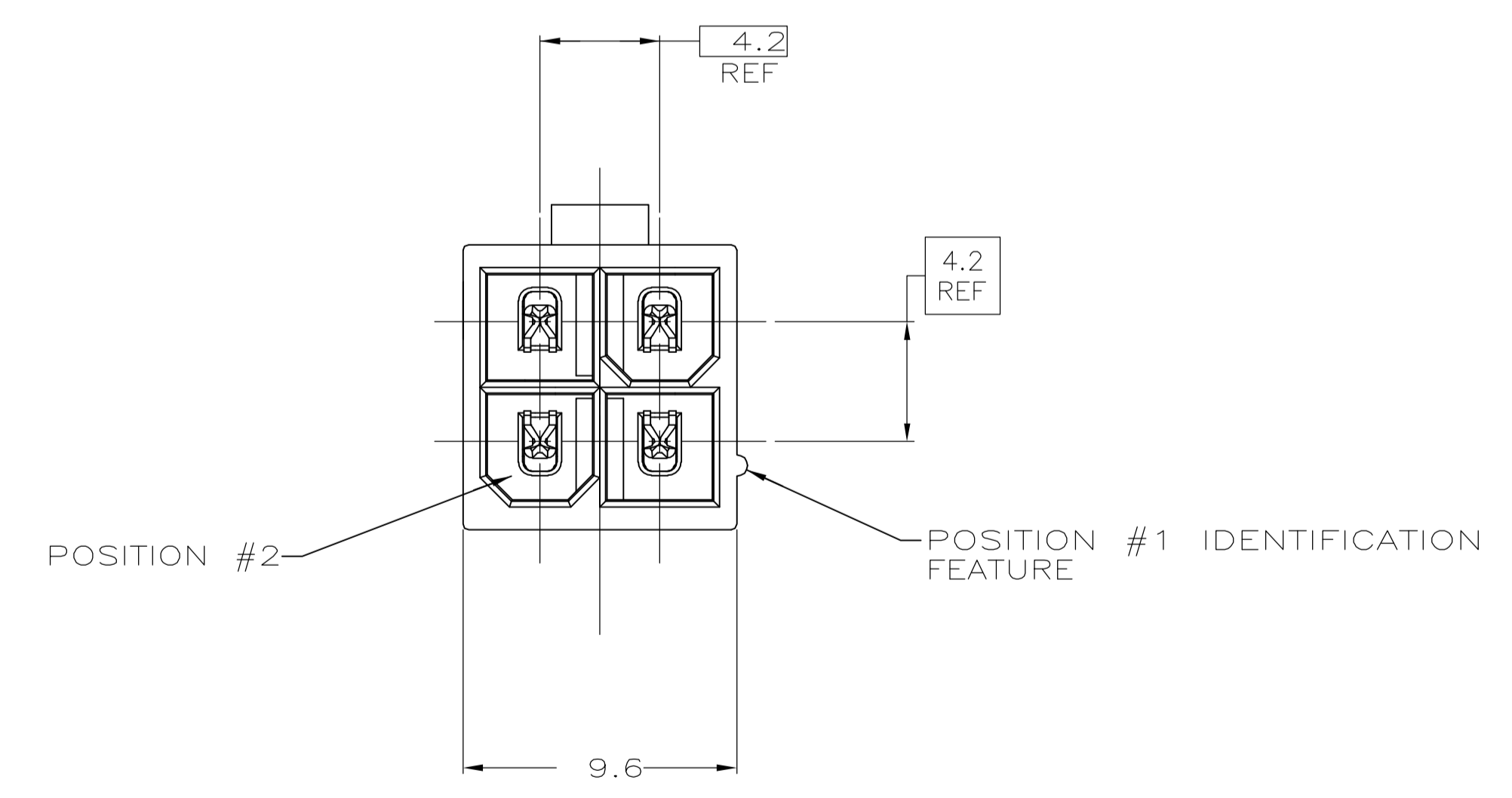


LOC		DIST		REVISIONS			
P	LTR	DESCRIPTION	DATE	DWN	APVD		
D		REVISED PER ECO-06-014732	13NOV06	KW	DC		

- △ MATERIAL:
HOUSING: NYLON, UL94V-0 (COLOR - NATURAL, COLOR OF PARTS MAY VARY).
CONTACTS - 0.25 THK COPPER ALLOY.
- △ CONTACT FINISH: 0.003 MIN THK TIN-LEAD OVER 0.00127 MIN THK NICKEL OVER ENTIRE CONTACT.
- △ CONTACT FINISH: 0.00076 MIN THK GOLD PLATE ON PIN MATING SURFACE, 0.003 MIN THK TIN-LEAD PLATE ON SOLDER TAIL, ALL OVER 0.00127 MIN THK NICKEL BASE PLATE.
- 4. SOLDER TAIL MEETS AMP SOLDERABILITY SPECIFICATION 109-11-2.
- 5. MATES WITH SIMILARLY PLATED AMP-DUAC™ POWER CONNECTOR RECEPTACLE HOUSINGS/SOCKET CONTACTS.
- △ RIBS ON FOUR CORNERS OPTIONAL.
- △ AMP LOGO AND MATERIAL ID MAY BE LOCATED ON EITHER LONG SIDE OF PART.
- △ SIZE, SHAPE OR STYLE OF THIS FEATURE MAY VARY.
- △ CONTACT FINISH: 0.003 MIN THK TIN OVER 0.00127 MIN THK NICKEL OVER ENTIRE CONTACT.
- △ CONTACT FINISH: 0.00076 MIN THK GOLD PLATE ON PIN MATING SURFACE, 0.003 MIN THK TIN PLATE ON SOLDER TAIL, ALL OVER 0.00127 MIN THK NICKEL BASE PLATE.



RECOMMENDED MOUNTING HOLE PATTERN
 FOR 1.78 MAX THICK P.C. BOARD
 COMPONENT SIDE SHOWN



SUPERSEDED BY 1-794484-2
 SUPERSEDED BY 1-794484-1

△1	△10	△1	△1	1-794484-2
△1	△9	△1	△1	1-794484-1
△1	△3	△1	△1	794484-2
△1	△2	△1	△1	794484-1
MATERIAL CONTACT		MATERIAL HOUSING		PART NO
FINISH CONTACT		COLOR HOUSING		

METRIC

THIS DRAWING IS A CONTROLLED DOCUMENT.

DIN R VESTAL 6-11-98	Tyco Electronics Corporation Harrisburg, Pa 17105-3608
CHK R SWING 6-11-98	
APVD C CASH 6-11-98	NAME
DIMENSIONS: mm TOLERANCES UNLESS OTHERWISE SPECIFIED: 0 PLC ± - 1 PLC ± 0.2 2 PLC ± 0.13 3 PLC ± - 4 PLC ± - ANGLES ± 0.30°	
MATERIAL SEE TABLE FINISH SEE TABLE	
WEIGHT - SCALE 5:1	
CUSTOMER DRAWING	

ASSEMBLY, HEADER, VERTICAL,
 4 POSITION, W/ DRAIN HOLES,
 94V-0 AMP-DUAC(TM)

SIZE: A1
 CASE CODE: 00779
 DRAWING NO: 794484
 RESTRICTED TO: -
 SHEET 1 OF 1 REV D